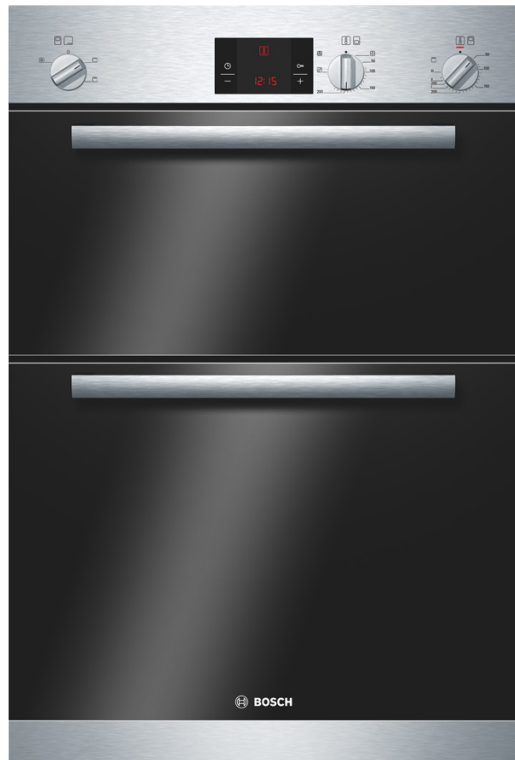




BOSCH



Classixx

**Built-in double hot air oven
HBM13B150B brushed steel**

Design

- Control panel height 115mm
- Single display window
- Standard control dials
- Touch control
- Straight bar handle
- Black handle fixing blocks
- Horizontal strip door design
- Drop down door

Main lower oven

Features

- Electronic clock timer
- 1 fixed control
- 1 interior light
- Safety lock
- Smooth enamelled oven interior
- Easy fit shelf support rails
- 5 shelf positions
- Full glass inner door
- Heat reflective glass

Programmes/functions

- 2 cooking functions
- 3D hot air, defrost

Performance/technical information

- Oven capacity: 62 litres
- A energy class

Secondary top oven

Features

- 2 fixed controls
- 1 interior light
- Smooth enamelled oven interior
- Easy fit shelf support rails
- 2 shelf positions
- Full glass inner door
- Heat reflective glass

Programmes/functions

- 2 cooking functions:
- full width variable grill, conventional top and bottom heat

Performance/technical information

- Oven capacity: 30 litres
- B energy class

Standard accessories

- Full width enamelled pan
- Wire pan insert

Included accessories

3 x combination grid, 1 x universal pan,
1 x insert grid

Optional accessories

- HEZ333000 Professional pan

Alternative colors available

HBM13B120B:White
HBM13B160B:Black

Technical Data

Characteristics

Color / Material Front : Stainless steel
 Built-in / Free-standing : Built-in
 Integrated Cleaning system - cavity 1 :
 easy to clean enamel
 Dimensions of the product (mm) : 888 x
 595 x 550
 Dimensions of the packed product
 (HxWxD) (mm) : 975 x 660 x 690
 Control Panel Material : Stainless steel
 Door Material : Glass
 Net weight (kg) : 46.00
 Usable volume of cavity (l) : 33
 Cooking method first cavity :
 Conventional heat, Full width variable
 grill
 First cavity material : Enamel
 Temperature control - cavity 1 :
 mechanical
 Number of interior lights : 1
 Approval certificates : CE, VDE

Consumption and connection features

Energy consumption conventional
 (kWh) - cavity 1 : 0.79
 Electrical connection rating (W) : 4400
 Current (A) : 20
 Voltage (V) : 240
 Frequency (Hz) : 50

Bosch
HBM13B150B
BUILT-IN/BUILT-UNDER
COOKER/OVEN

Predecessor:

Successor:

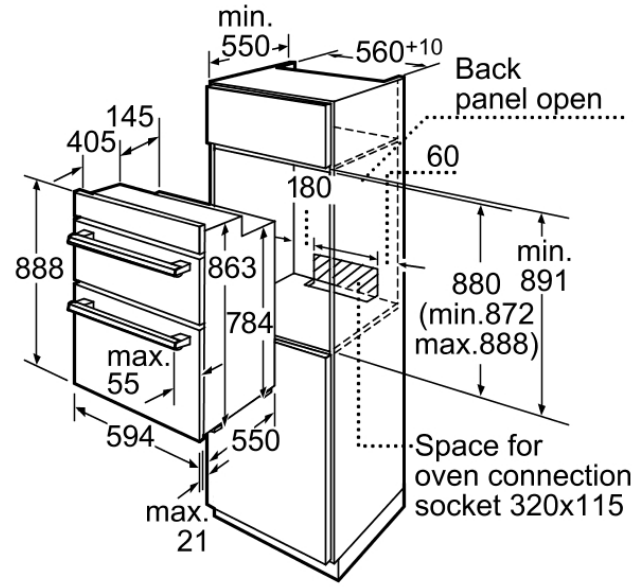
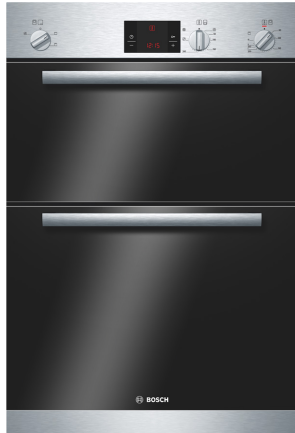
EAN code:
4242002498713

sales programme:



BOSCH

Classixx
Built-in double hot air oven
HBM13B150B brushed steel



Measurements in mm